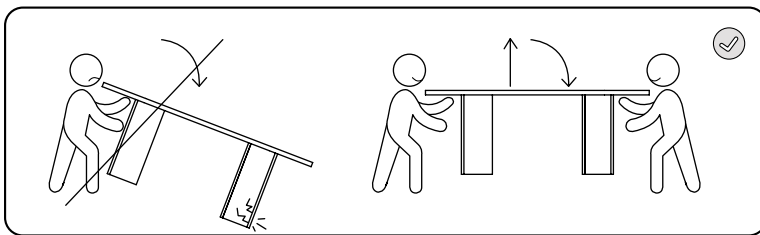
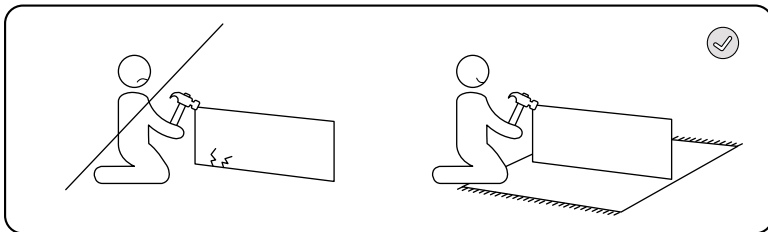
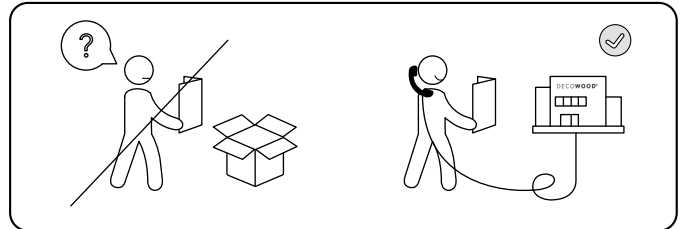
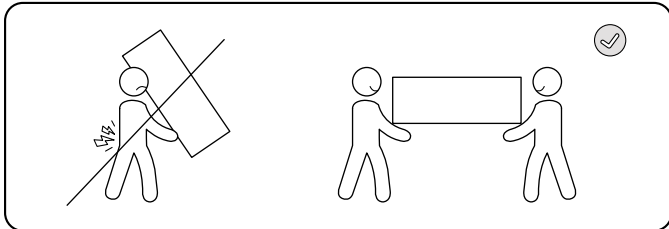


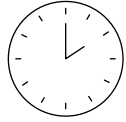
The wood tailor

MOBILIARIO SOSTENIBLE

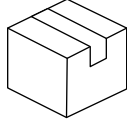


The wood tailor

MOBILIARIO SOSTENIBLE



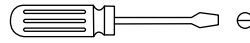
15 min



x2



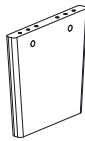
x1



x1



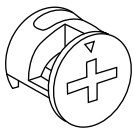
A x1



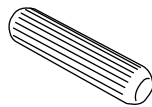
B x1



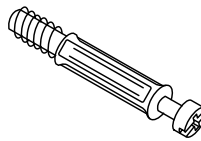
C x2



D x6
Ø15mm



E x8
Ø8x30mm



F x6
M6x40mm

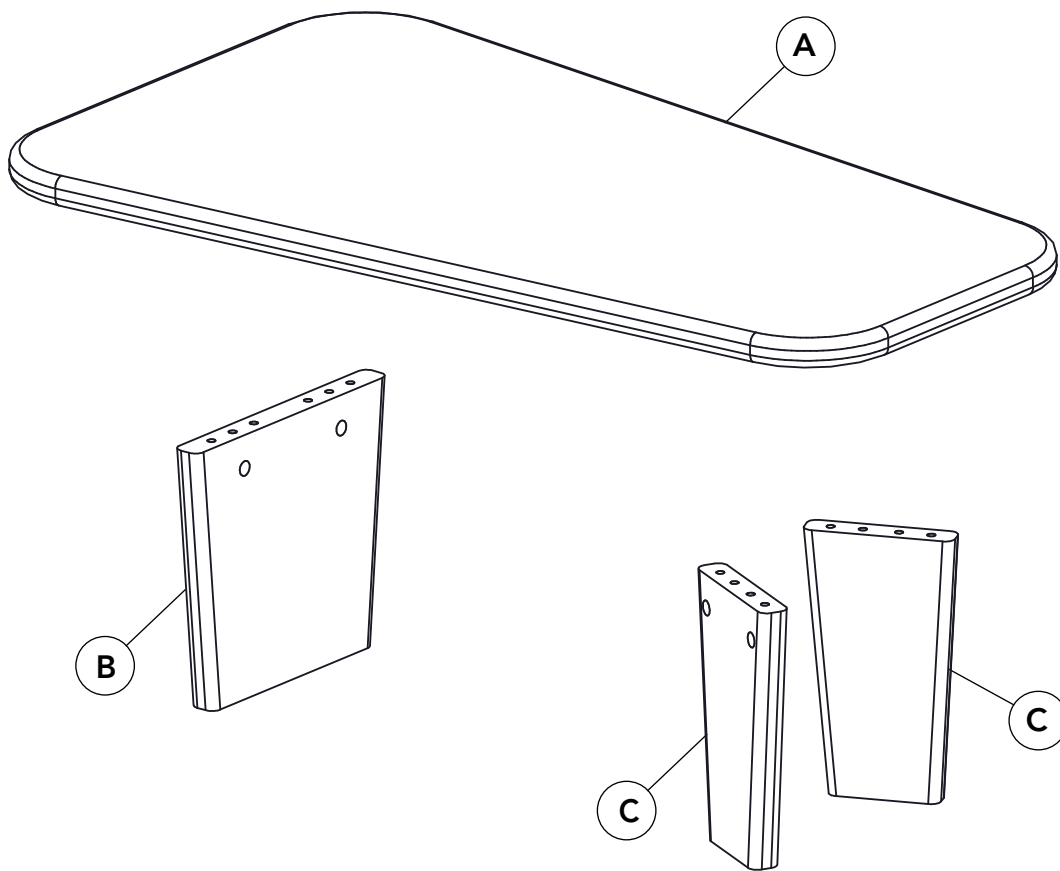


G x6

ESP: Solo para patas de microcemento.
EN: Only for microcement legs.

The wood tailor

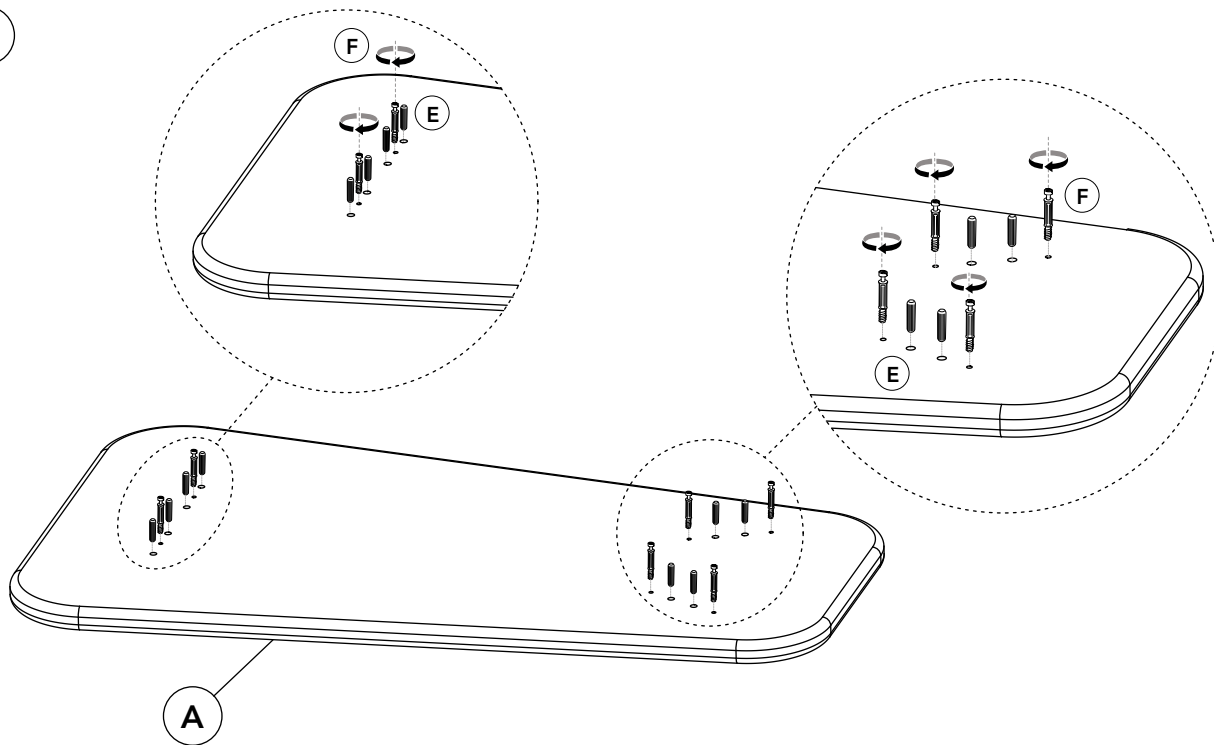
MOBILIARIO SOSTENIBLE



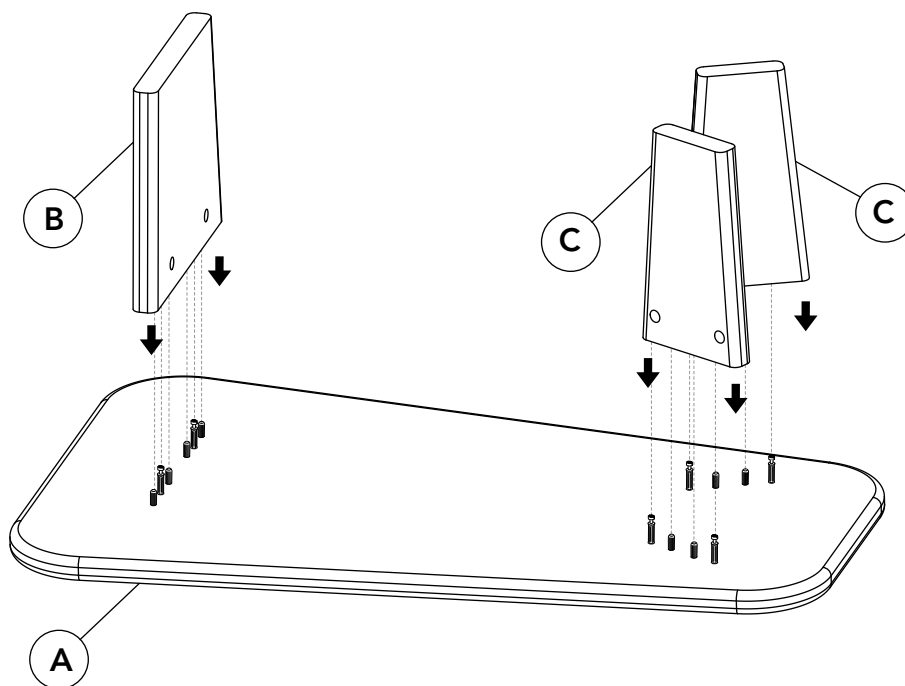
The wood tailor

MOBILIARIO SOSTENIBILE

1



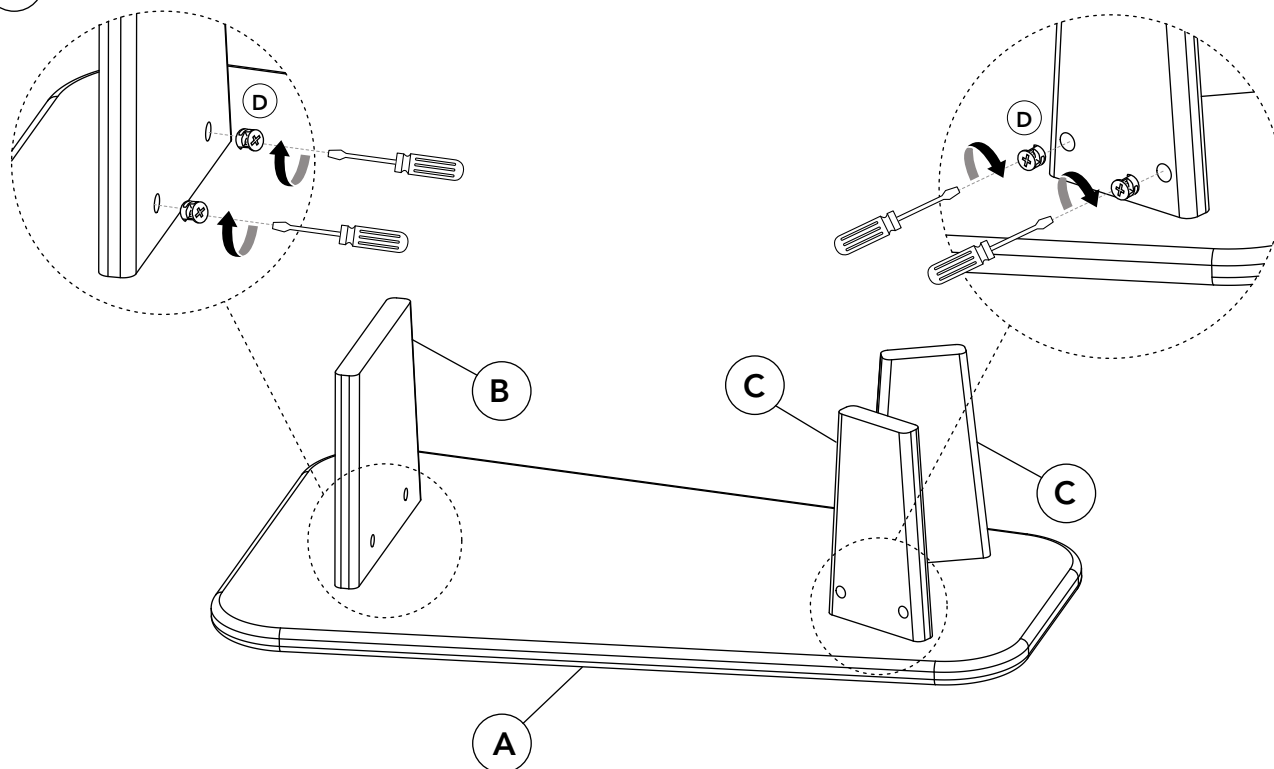
2



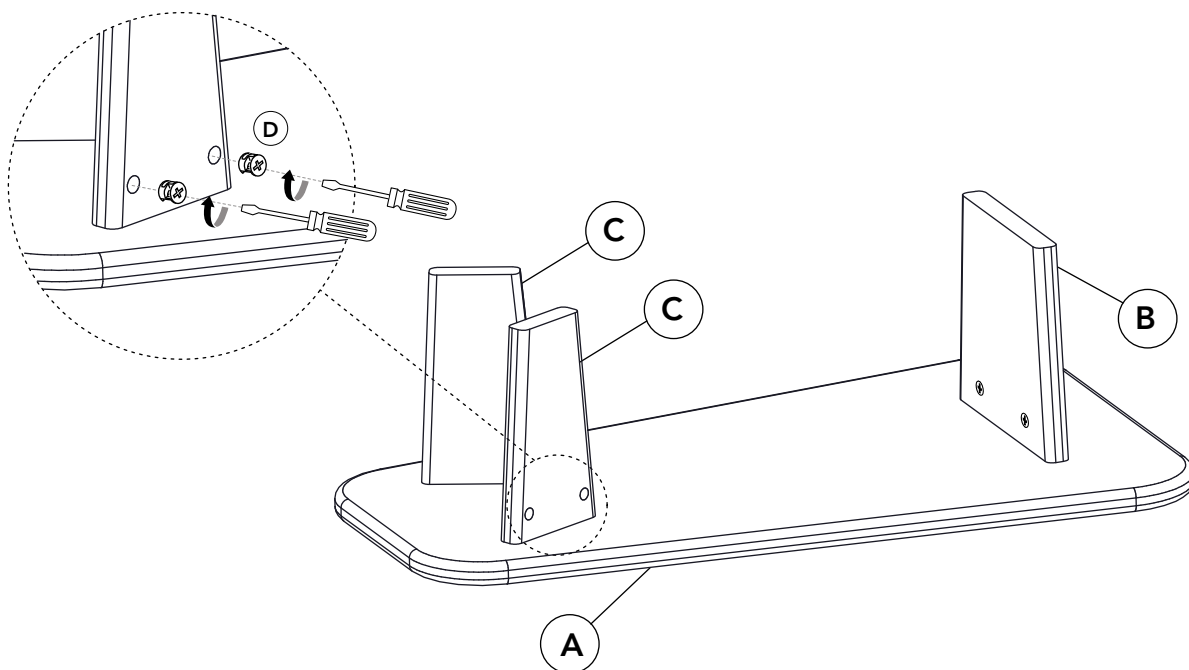
The wood tailor

MOBILIARIO SOSTENIBLE

3



4



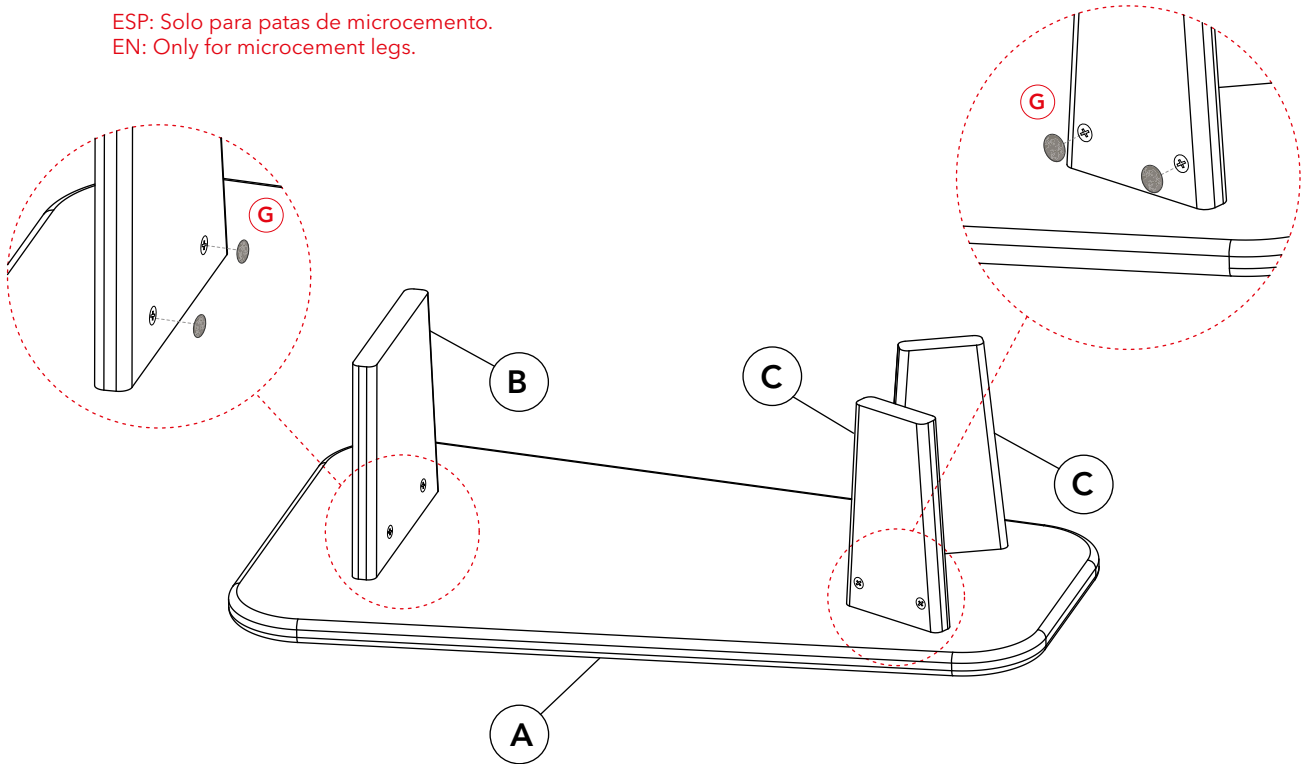
The wood tailor

MOBILIARIO SOSTENIBLE

5



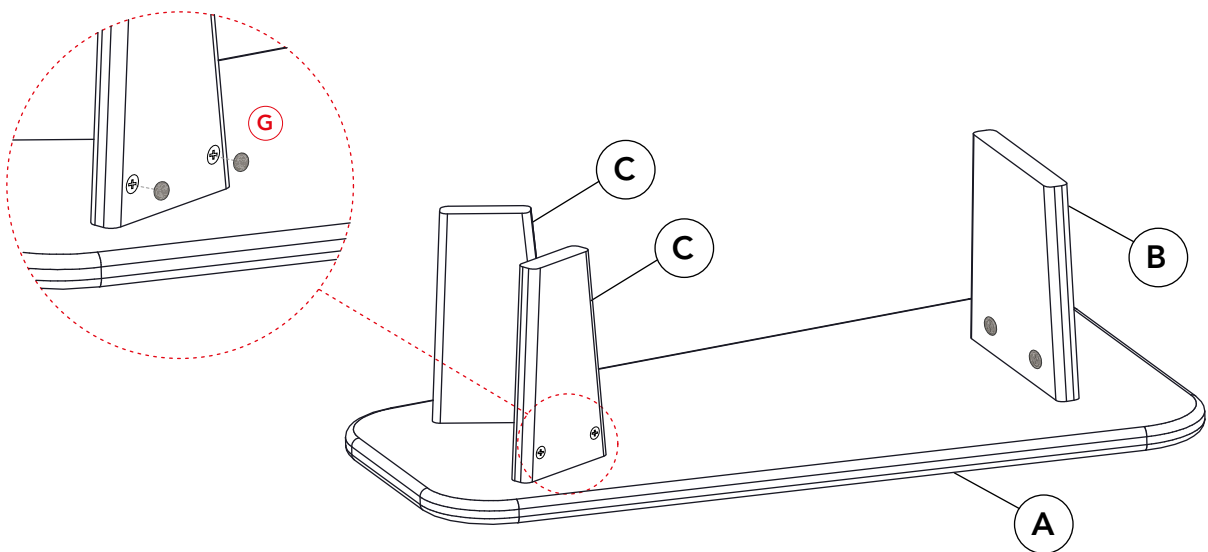
ESP: Solo para patas de microcemento.
EN: Only for microcement legs.



6

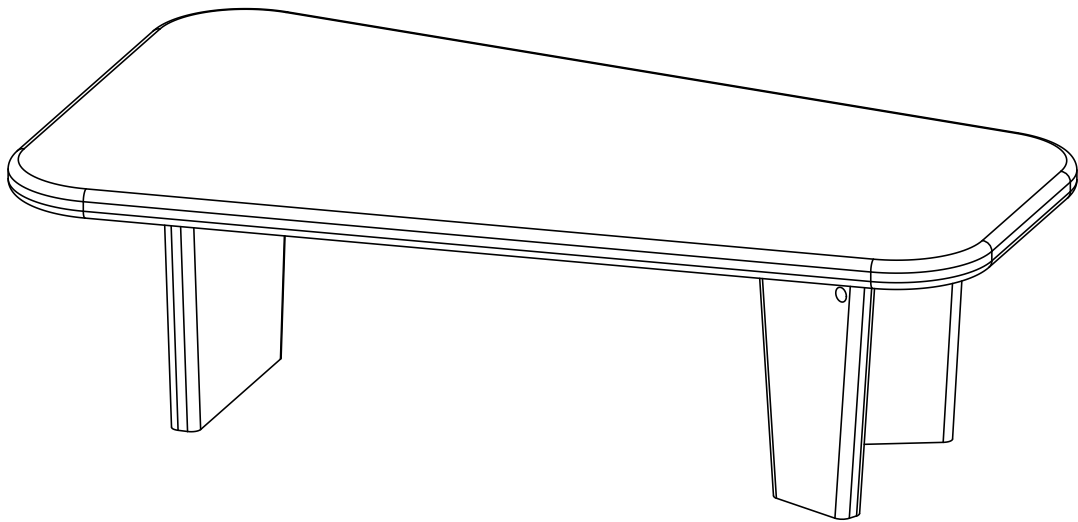


ESP: Solo para patas de microcemento.
EN: Only for microcement legs.



The wood tailor

MOBILIARIO SOSTENIBLE



The wood tailor

MOBILIARIO SOSTENIBLE

The change starts here.

